

ORDINANCE No. Z11-2025
TITLE 15 AMENDMENT-LARGE UTILITY FACILITY
OVERLAY DISTRICT REMOVAL

ROLL CALL

VOTING	YES	NO	ABSENT	ABSTAIN
MIKE MENDENHALL <i>Mayor (votes only in case of tie)</i>				
LANDON TOOKE <i>Councilmember</i>	X			
STACY BECK <i>Councilmember</i>	X			
JESSE CARDON <i>Councilmember</i>	X			
SHANE MARSHALL <i>Councilmember</i>	X			
KEVIN OYLER <i>Councilmember</i>	X			

I MOVE this ordinance be adopted: Councilmember Tooke

I SECOND the foregoing motion: Councilmember Oyler

ORDINANCE Z11-2025 COMMUNITY DEVELOPMENT TITLE 15 UPDATES AND AMENDMENTS

AN ORDINANCE AMENDING THE SPANISH FORK MUNICIPAL CODE TO REMOVE THE LARGE UTILITY FACILITY OVERLAY DISTRICT.

WHEREAS Spanish Fork City has enacted a land use ordinance as Title 15 of the Spanish Fork Municipal Code ("Code") to regulate the development of land within the City, establish zoning to protect property values, and establish administrative rules concerning land use;

WHEREAS amendments to the land use ordinance and other sections of the Code need to be made from time to time in order to remain compliant with state and federal law, become more efficient, and to keep standards in line with best construction and safety practices;

WHEREAS a public hearing was held before the Planning Commission on July 8, 2025 whereat public comment was received; and


WHEREAS a public hearing was held before the Spanish Fork City Council on July 15, 2025, whereat additional public comment was received;

NOW THEREFORE, be it enacted and ordained by the Spanish Fork City Council as follows:

Section 1. Amendment of Code. The Spanish Fork Municipal Code is hereby amended as set forth in Exhibit A, attached hereto and incorporated herein. Only the sections of the Code set forth in the Exhibit A shall be amended. All other sections of the Code remain unchanged.

Section 2. Effective Date. This ordinance shall be effective twenty days after passage and publication.

PASSED AND ORDERED PUBLISHED BY THE CITY COUNCIL OF SPANISH FORK,
UTAH: July 15, 2025.


MIKE MENDENHALL, Mayor

Attest:


TARA SILVER, City Recorder



15.3.20.110 Large Utility Facility Overlay District

This district provides an opportunity for Spanish Fork City to approve large-scale utility facility projects that would not primarily provide local service. This Overlay may be approved in any Zoning District:

A.—Application

- 1.—Applications to establish a Large Utility Facility Overlay District shall be processed in the same manner as that for other zoning map amendments. The application shall be accompanied by a complete application which includes the following information:
 - a.—a complete description of the intended nature and character of the project;
 - b.—a description of the project's necessity and the importance of its proposed location;
 - c.—a map of the location of the proposed project including parcel numbers of all impacted properties;
 - d.—a proposed project phasing plan;
 - e.—plans representing proposed changes to any existing improvements;
 - f.—plans that identify the nature of any improvements that would be constructed with the project;
 - g.—plans that identify disturbed areas and the proposed means to restore those areas.

B.—Performance Standards

1.—Permitted Use

- a.—Large Utility Facilities.

2.—Project Impact

- a.—A review will be performed to ensure that appropriate measures are taken to mitigate impacts on surrounding properties and the community as a whole when Large Utility Facilities are constructed. Mitigation measures may include but are not limited to:
 - i.—providing easements and right-of-way for roads, trails and other utilities;
 - ii.—revegetating disturbed areas;
 - iii.—using materials that limit the visual impact of the utility.

C.—Findings: the following findings must be made by the Council before approving any Large Utility Facility Overlay District:

- 1.—That the proposed project is needed to provide utility service to areas that are not located or are planned to be located within Spanish Fork City;

- ~~2. That the proposed development will not be materially detrimental to the health, safety, or general welfare of persons residing or working within the area or community as a whole;~~
- ~~3. That sufficient assurance has been provided that any impacts generated by the project and its construction will be remediated.~~



Memo

To: Mayor and City Council
From: Cory Pierce P.E., Public Works Director/City Engineer
Date: July 1, 2025
Re: Ordinance Construction Standards Revision (25.01)

Staff Report

RECOMMENDED ACTION

Approve Ordinance to revise the construction standards.

BACKGROUND

- Clarification of storm drain and LID improvements.
- Modifies the storm drain video inspection section.
- Modifies bedding material to add waterlines.
- Modifies Rainfall-runoff rational method to add 100-year storm.
- Adding a section for Temporary All Weather Roadways.
- Modifies commercial meters.
- Adding a section in the water standards for backflow protection requirements
- Modifications to Water standard drawings.



SPANISH FORK
PRIDE & PROGRESS

40 South Main Street
Spanish Fork City, Utah 84660
(801) 804-4550

**CONSTRUCTION
STANDARDS**

4.39.20.040. Utility Improvements

- F. Storm Drain. The Developer shall provide on-site storm drainage facilities according to the storm water Drainage Design manual and in accordance with the ordinances of the City. Storm drainage systems shall incorporate **Underground** Low Impact Development (LID) systems. The maximum allowable storm water discharge from any **multi-family**, commercial and industrial development will be limited to 0.15 cfs/acre of development.

4.39.25.090. Storm, Land and Groundwater Drains

- C. Video Inspection. Contractor shall clean all storm, land and groundwater drains lines prior to video inspection. The **Contractor City** shall video inspect all sanitary storm, land and groundwater drains lines prior to paving. ~~Cost to video inspect shall be deducted from inspection fee.~~

4.39.35.040. Fill Material

- B. Bedding Material. Use APWA No. 4 sewer rock for gravity pipe bedding material. Use sand as a bedding material for pressure pipe, **waterlines**, **and** electrical and communication conduit. Bedding sand must compact sufficiently to support the pipe and shall meet the following gradation:

4.39.55.015 Design Standards and Regulations.

- A. Low Impact Development. The MS4 permit for Spanish Fork City requires that new development or redevelopment projects that disturb greater than or equal to one acre, including projects less than one acre that are part of a larger common plan of development or sale to manage rainfall on-site, and prevent the off-site discharge of the precipitation from all rainfall events less than or equal to the **890th** percentile rainfall event. Spanish Fork City has elected to change the **890th** percentile rainfall event to the 25-year storm event with a **24 hr** duration and intensity that produces the largest storage requirement. A redevelopment project that would require **Underground** LID is further defined as any project that increases the existing impervious area by 10% or more. ~~The requirement includes the evaluation of a Low Impact Development (LID) approach which encourages the implementation of BMPs that infiltrate, evapotranspire or harvest and use storm water from the site to protect water quality (Small MS4 General Permit No. UTR090000).~~ As Spanish Fork City continues to develop and redevelop,

~~underground~~ LID practices will need to be implemented to comply with State and Federal regulations.

~~Underground~~ LID is a comprehensive approach to micromanaging storm water where it is generated. The goal of ~~Underground~~ LID is to develop a storm water management strategy where post-development hydrologic conditions mimic pre-development conditions through utilizing storm water features that infiltrate and evapotranspire in a cost-effective, flexible manner. It also involves protecting water quality by treating and filtering storm water near the source, before it infiltrates into the ground.

~~Underground~~ LID practices focus on preventing flooding, erosion, and pollution by utilizing natural processes to filter, treat, and allow storm water to infiltrate into the ground. It typically preserves, restores, and creates green infrastructure using soils and vegetation. By implementing ~~Underground~~ LID principles and practices, water can be managed in a way that reduces negative environmental impacts often associated with developed areas and promotes the natural movement of water within the area.

~~LID strategies include several techniques to generate less runoff from developed land. LID practices are flexible, offering a wide variety of techniques to reduce runoff timing and volume. LID practices control storm water runoff at the lot level, using a series of integrated strategies that rely on natural processes.~~

~~LID principles:~~

- ~~1. preserve and recreate natural landscape features~~
- ~~2. minimize directly connected impervious area~~
- ~~3. comprehensive, landscape-based approach to sustainable development~~
- ~~4. utilize natural hydrologic functions and processes~~
- ~~5. focus on prevention, rather than mitigation~~
- ~~6. emphasize simple, low-tech, low-cost methods~~
- ~~7. manage storm water runoff as close to the source as possible~~
- ~~8. minimize disturbance~~
- ~~9. increase drainage flow paths~~

~~10. utilize onsite filtering and treatment methods~~

- B. Potential LID Features and Practices. There are many practices that can be utilized when implementing LID principles. Some are listed below.
1. Xeriscape Swale/Grassy Swale - A swale landscaped with xeriscape plants or grass can be used to infiltrate storm water in place. Curb cuts along roads can be used to discharge storm water runoff generated in paved streets and parking lots into the swale. **An underground storage tank system is required to help the infiltration into the ground.**
 6. Bioretention – Bioretention includes the use of vegetation and soils to clean storm water runoff in an earthen basin lined with plants and mulch. **An underground storage tank system is required to help the infiltration into the ground.**
 9. Preserve Vegetation – The natural vegetation of an area to be developed should be preserved by reducing the total impervious area for a site. ~~by clustering buildings close together, reducing building footprints, reducing road widths, and other methods to preserve as much of the native vegetation as is feasible for a given site.~~
- C. Drainage Plan Report. As part of the Drainage Plan Report, the following criteria will need to be addressed.
1. LID Feasibly - All plans for LID facilities **and Underground LID facilities** will need to be approved by the City prior to design. During the planning process, groundwater levels, percolation/**infiltration** rates, source protection zones, and other concerns with subsurface conditions need to be considered. Site conditions such as collapsible soils, low percolation rates, wetlands, and high groundwater levels will limit the types of **underground** LID facilities that can be used. We encourage the developer and his engineer to be creative in developing innovative means to implement LID. If the developer believes that **underground** LID facilities cannot be utilized on their particular site, documentation will need to be submitted and approved by the City explaining the reasons why **underground** LID cannot be utilized. The documentation must illustrate that infiltration, evapotranspiration and rainwater harvesting has been used to the maximum extent technically feasible and that full employment of **underground** LID facilities **is are** not feasible due to site constraints.

3. Source Protection Zones - Some **underground** LID practices may not be appropriate in Zone 1 water source protection areas (Zone 1 Areas) because they require infiltration. Zone 1 Areas are defined as the "area within a 100-foot radius from the wellhead or margin of the collection area." (Utah State Code (R309-600-9)(2)(a)(i)). **underground** LID practices may be implemented in Zones 2, 3, and 4 water source protection areas (Zones 2, 3 and 4). However, **underground** LID facilities in Zones 2, 3, and 4 may require additional treatment at the discretion of the City. The drinking water source protection areas in Spanish Fork City can be found in the Drinking Water Master Plan.
- D. Design Storm. **Underground** LID facilities in the City shall be designed to accommodate, at a minimum, the peak runoff rate and volume generated from a 25-year storm of a **24 hr any** duration. Calculations will need to be completed and submitted to the City documenting the design parameters of the **underground** LID facilities. All detention shall detain a 25 year 24 hr. storm with a maximum 0.15 cfs per acre release rate. Release rates shall be determined by the City Engineer.
 - E. **Retention Basins are only allowed where the Master Plan shows.** All **underground LID** retention shall retain and infiltrate a 100 year 24 hr. All **underground LID** retention shall have an emergency overflow to a storm drain, collector street, or permanent ditch. **All Retention shall include underground LID sized to retain at least the 25 year 24 hr. storm, unless demonstrated to the City Engineer that LID will not work.**
 - G. Underground LID/Storage. LID facilities that are designed to infiltrate storm water into the ground may be underground storage facilities. The underground facilities should be designed according to the following criteria:
 1. All onsite **Underground** LID facilities will be owned and maintained by the property owner, unless the City agrees otherwise. Any **Underground** LID facilities in the right-of-way will be owned and maintained by Spanish Fork City after construction has been completed and approved by the City. The facilities will need to be designed in a way that allows the City to access and maintain them.

4.39.55.020 Rainfall-Runoff Computation Methods Reference

B. Rational Method.

10-Year Storm
Duration Intensity

<i>min</i>	<i>in/hr</i>
5	3.31
10	2.51
15	2.08
30	1.4
60	0.87
120	0.5
180	0.36
360	0.22
720	0.13
1440	0.08

25-Year Storm
Duration Intensity

<i>min</i>	<i>in/hr</i>
5	4.34
10	3.31
15	2.74
30	1.84
60	1.14
120	0.65
180	0.46
360	0.26
720	0.16
1440	0.10

100-Year Storm
Duration Intensity

<i>min</i>	<i>in/hr</i>
5	6.22
10	4.73
15	3.91
30	2.63
60	1.63
120	0.89
180	0.61
360	0.33
720	0.19
1440	0.11

4.39.55.025 Pipe and Fittings

D. Polypropylene Pipe (PP). PP pipe shall meet the requirements and specifications of APWA 33 05 11. Material can be HP Storm or Sanitite (or equivalent) depending on bury depth, groundwater, and other factors. Diameters up to ~~48 30~~ inches shall meet the requirements and specifications of ~~ASTM F2764~~ and be dual gasketed ~~ASTM F2736~~. ~~Diameters over 30 inches shall meet the requirements and specifications of ASTM F2764~~. Typically 3 feet or less bury depths require triple wall PE pipe approved by the City Engineer.

4.39.55.030 Submittal Requirements

A. Drainage Plan and Report.

A final Drainage Plan and Report is required for all proposed developments and shall be prepared **and stamped** by a professional civil engineer registered in the State of Utah. The report portion of the Drainage Plan and Report shall contain the following:

4.39.55.040 Retention/Detention Basins

B. Retention Basins. All retention basins shall have a freeboard of 12 inches. Design of retention basins shall be according to **Section 4.39.55.015 Design Standards and Regulations. E. Design Storm, the Storm Water Drainage Design Manual**. All retention basins shall include underground LID sized to retain at least the 25 year 24 hr. storm , unless demonstrated to the City Engineer that LID will not work. ~~have a series of interconnected sumps connected to curb inlet boxes or storm drain~~

~~main lines.~~ All retention basins shall be landscaped in accordance with City Standards.

- C. Detention Basins. All detention basins shall have 12 inches of freeboard. Design of detention basins shall be according to the Storm Water Drainage Design Manual. ~~Detention basins may be constructed in landscape or parking areas.~~ Each detention basin shall incorporate Underground LID storm drain principles and have an overflow to the City storm drain system. ~~Follow standard drawing SD-411.~~ Pipes shall not be used as storage in storm water calculations.

D. ~~Waterman gates are required. Orifices are not allowed.~~

4.39.55.050 Low Impact Development

- A. General. All new development and roadways shall incorporate Underground LID storm drain in the form of ~~bioretention swales~~, underground retention cells, or other methods as approved by the City Engineer. Underground LID systems ~~used as retention~~ shall be designed to handle the 100-year, 24 hour storm.

~~C. Landscaping. A landscape plan for the bioretention swales shall be submitted and approved by the City. All landscaping shall be designed and installed per City standard drawings and specifications. The developer shall provide financial assurance in the form of a bond to assure that all landscaping is installed per the approved plan. Landscaping of the bioretention swale shall be completed in approved sections for uniformity. All bioretention swale landscaping shall be complete by the second summer following completion of the development.~~

- D. Underground Storm Water Chamber Installation. The excavated area shall be level and free of unwanted debris. The depth shall be deep enough to add a minimum of 4 inches of ~~rock~~base material underneath the chambers. If the excavated area is a hard, rocky or clay soil, a minimum of 6 inches shall be used. The excavated area shall be a minimum of 2 feet wider than the chambers.

4.39.60.020. Street Section

- F. Temporary All Weather Roadway

This standard applies to temporary roads used for construction, emergency access, industrial operations, and temporary turn-arounds.

Temporary roadways shall be constructed using one or more of the following materials:

- Rock Surface: Crushed stone or gravel with a 1 inch minus rock, compacted to a thickness 3 inches on top of 6 inches of roadbase.
- Rotomilling (Recycled Asphalt Pavement - RAP): A compacted layer of milled asphalt material with a minimum depth of 4 inches, treated with a binding agent if necessary.
- Asphalt: A hot mix asphalt layer with a minimum compacted thickness of 2 inches over a properly prepared subgrade.

The subgrade shall be graded and compacted to a minimum of 95% standard proctor density. Material shall be placed in uniform lifts and compacted with suitable equipment. Roads shall be inspected regularly for rutting, washboarding, or potholes. Repairs shall be made by regrading, adding additional material, and compacting as needed. Drainage features such as ditches and culverts shall be kept clear of debris.

4.39.70.070. Metering

- D. Commercial Meters. Single-phase and three-phase self-contained meter bases shall be installed by the Developer, and shall have **test block** bypass capability in the meter base. For details and specific information regarding this requirement, please contact the Electric Metering Office. For **single meter 3 phase** services rated ~~200~~ 400 amps up to 800 amps **with a 13-jaw meter**, the Electric Division will supply the meter base & **ten pole** test switch for contractor to install. ~~No smaller than a 200 amp 3 phase service entrance will be accepted unless otherwise approved by the Electrical Superintendent.~~ For services rated over 800 amps, contact Electric Division.

Chapter 4.39.40. Drinking Water

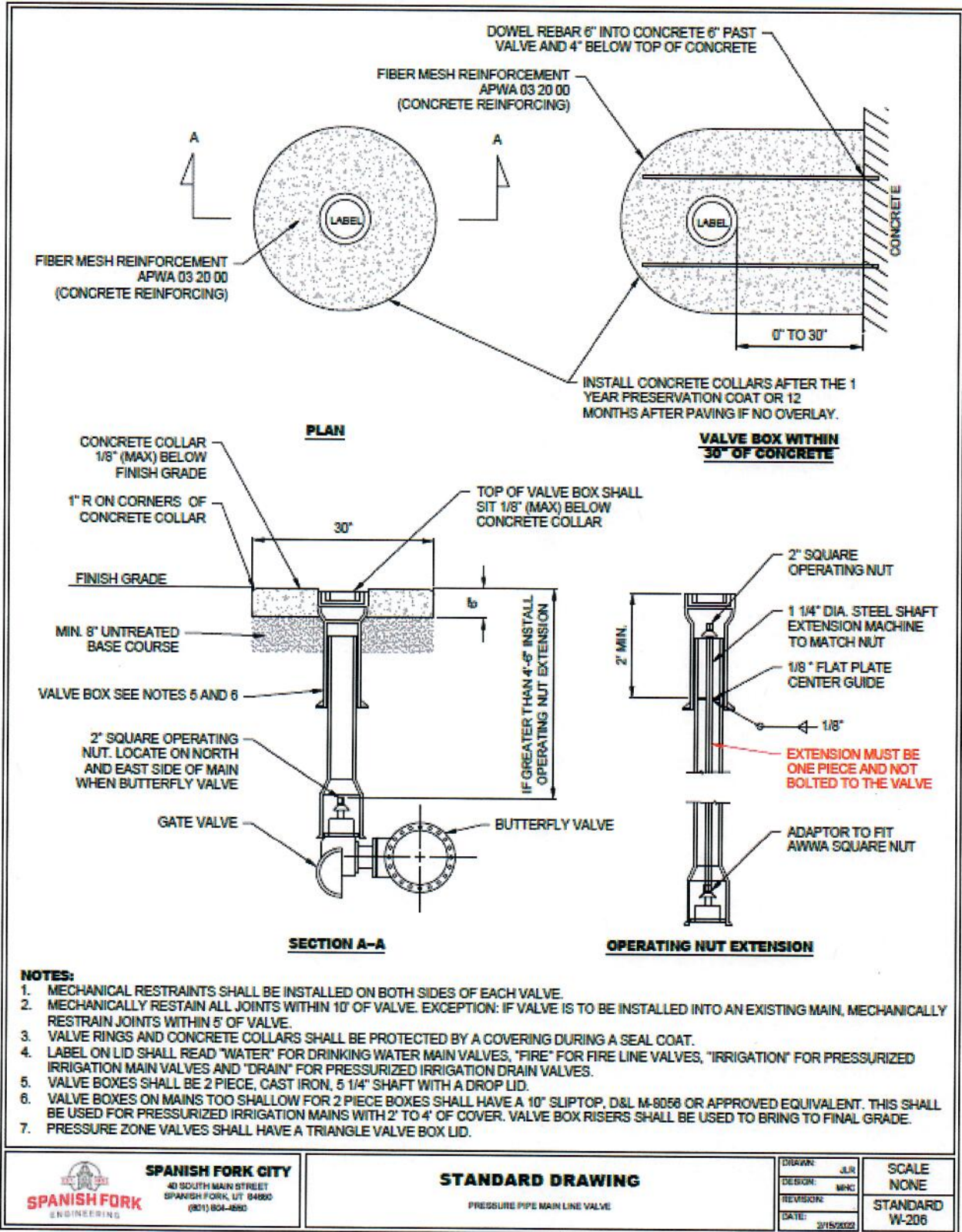
4.39.40.010. General

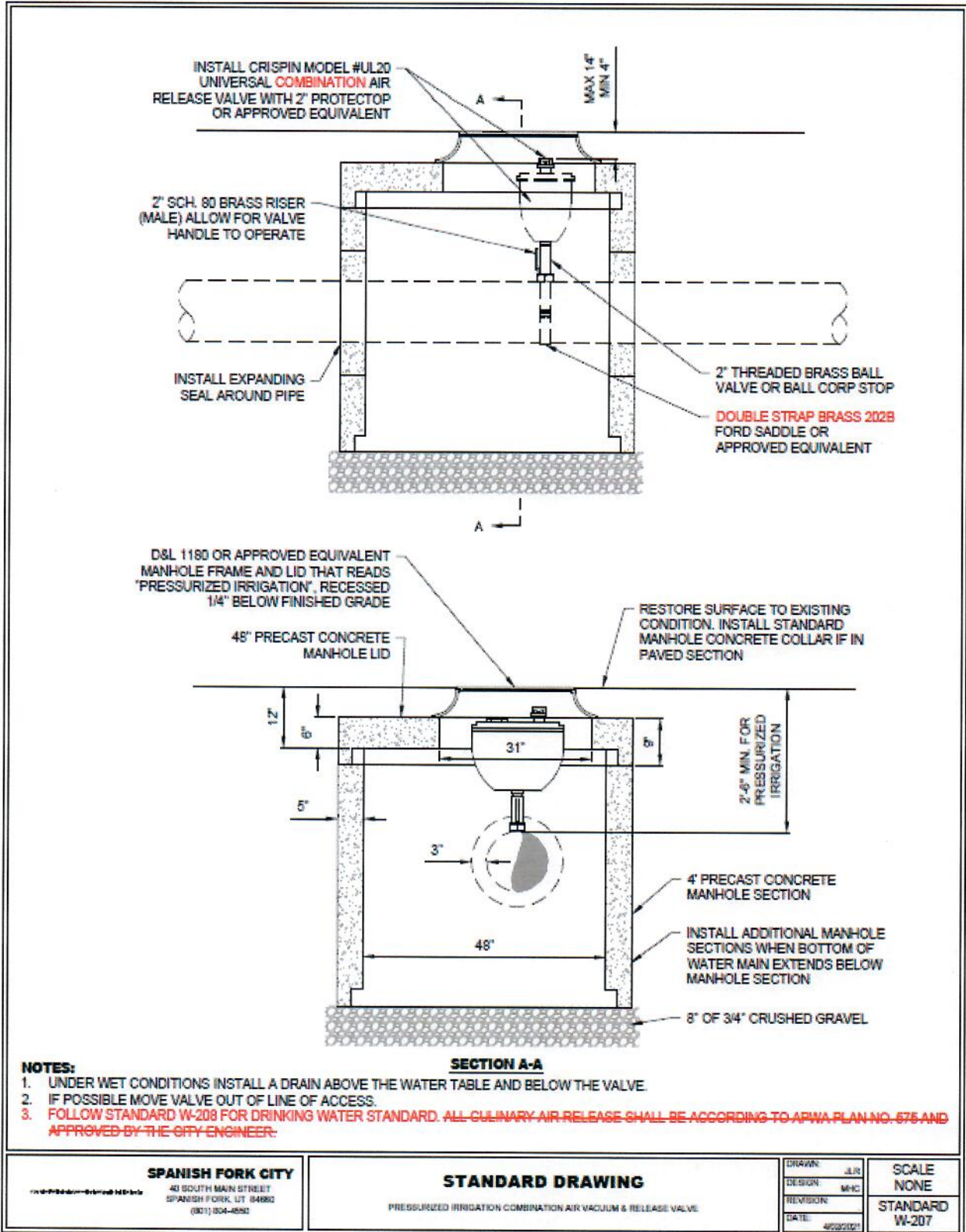
- F. Backflow Protection Requirement. Refer to Spanish Fork City Municode.

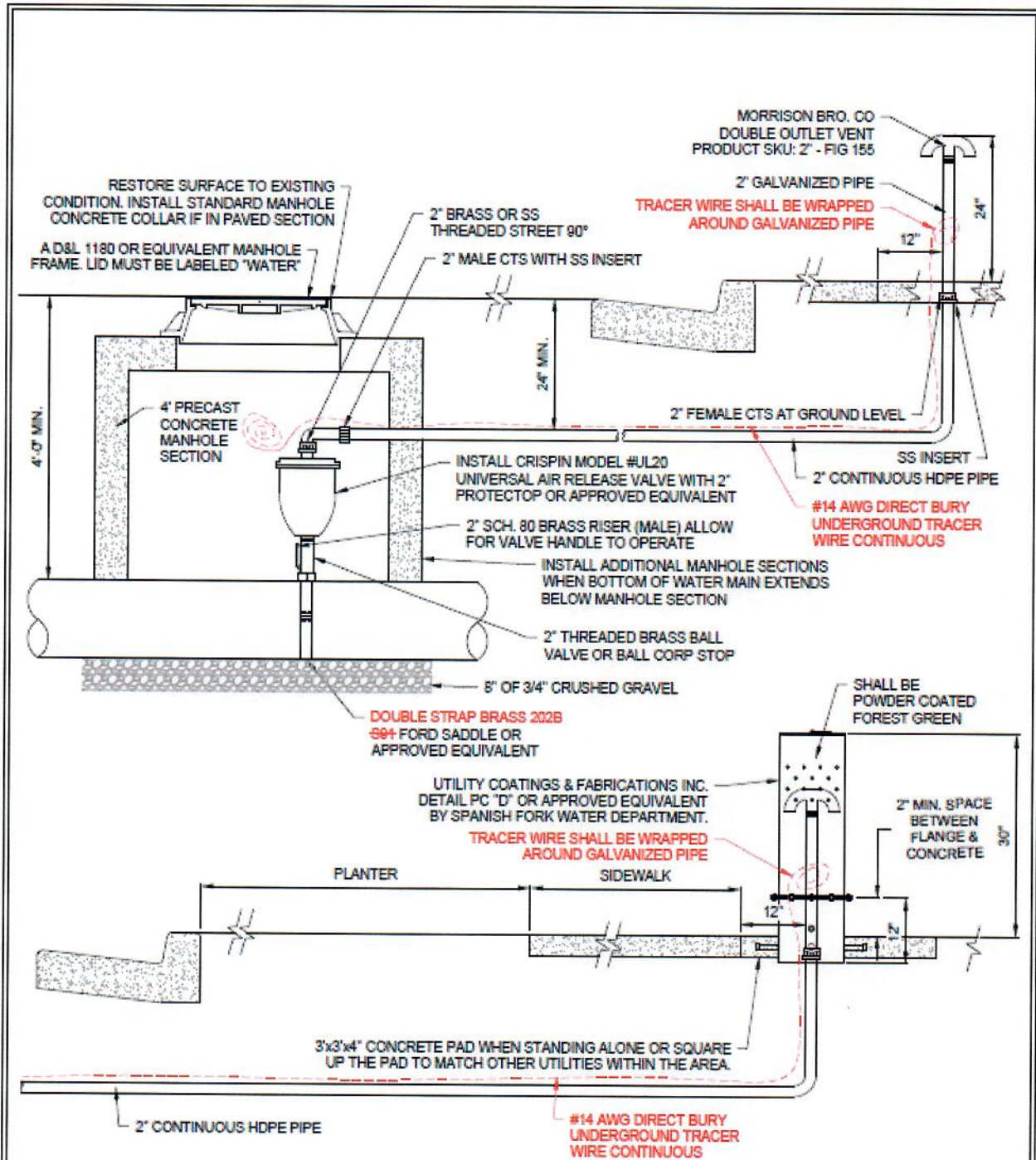


CONSTRUCTION STANDARD DRAWINGS

CONSTRUCTION STANDARD DRAWINGS

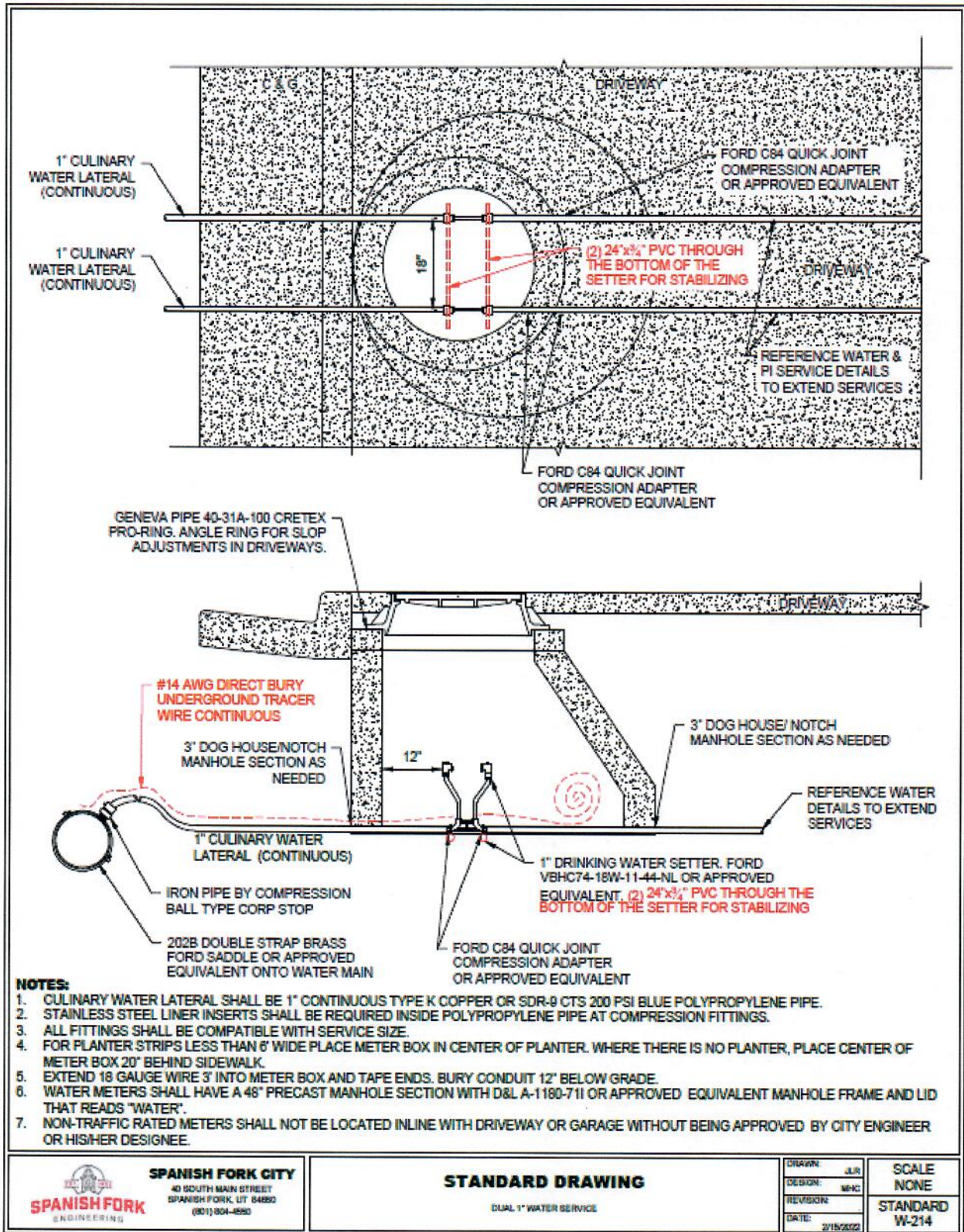


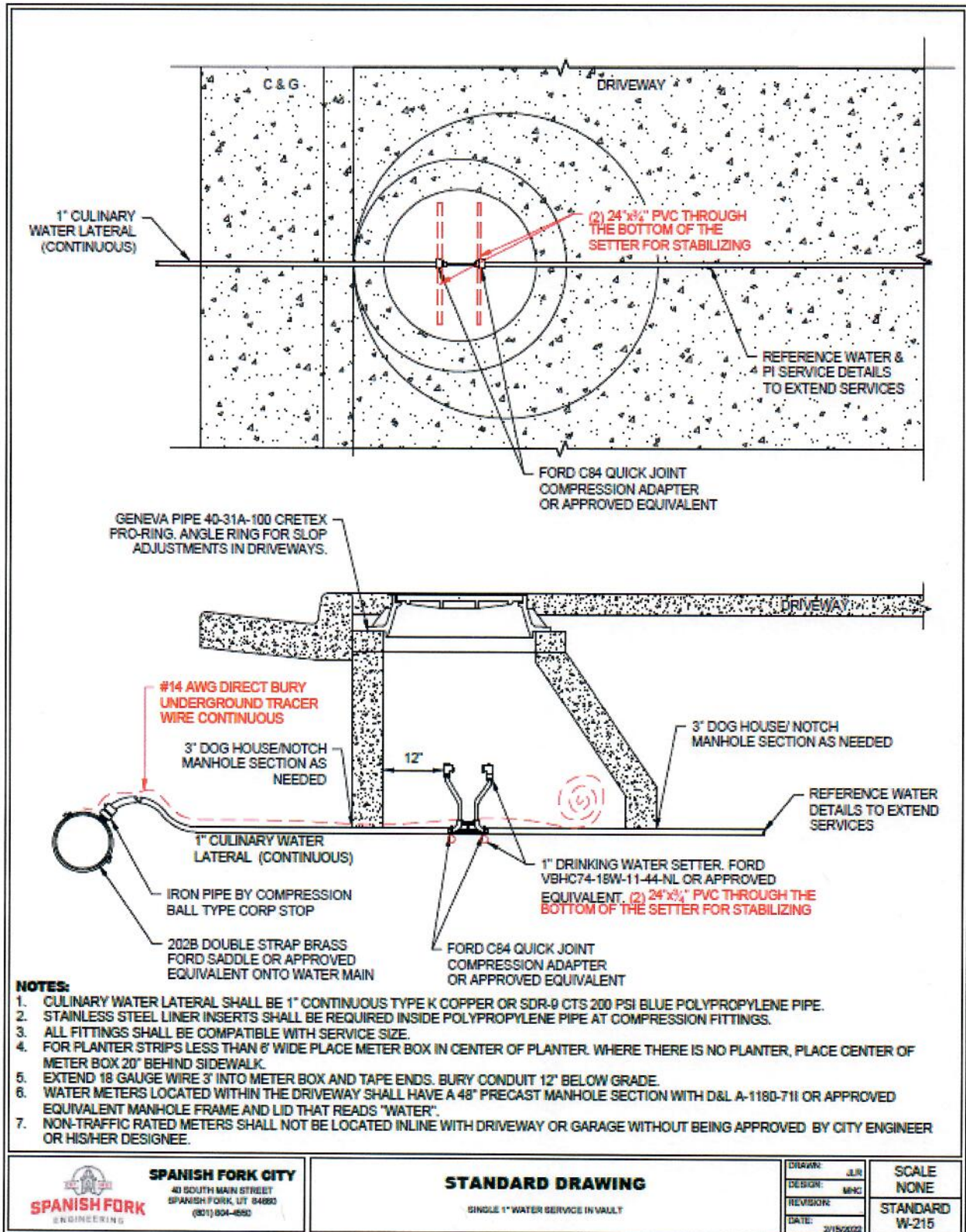


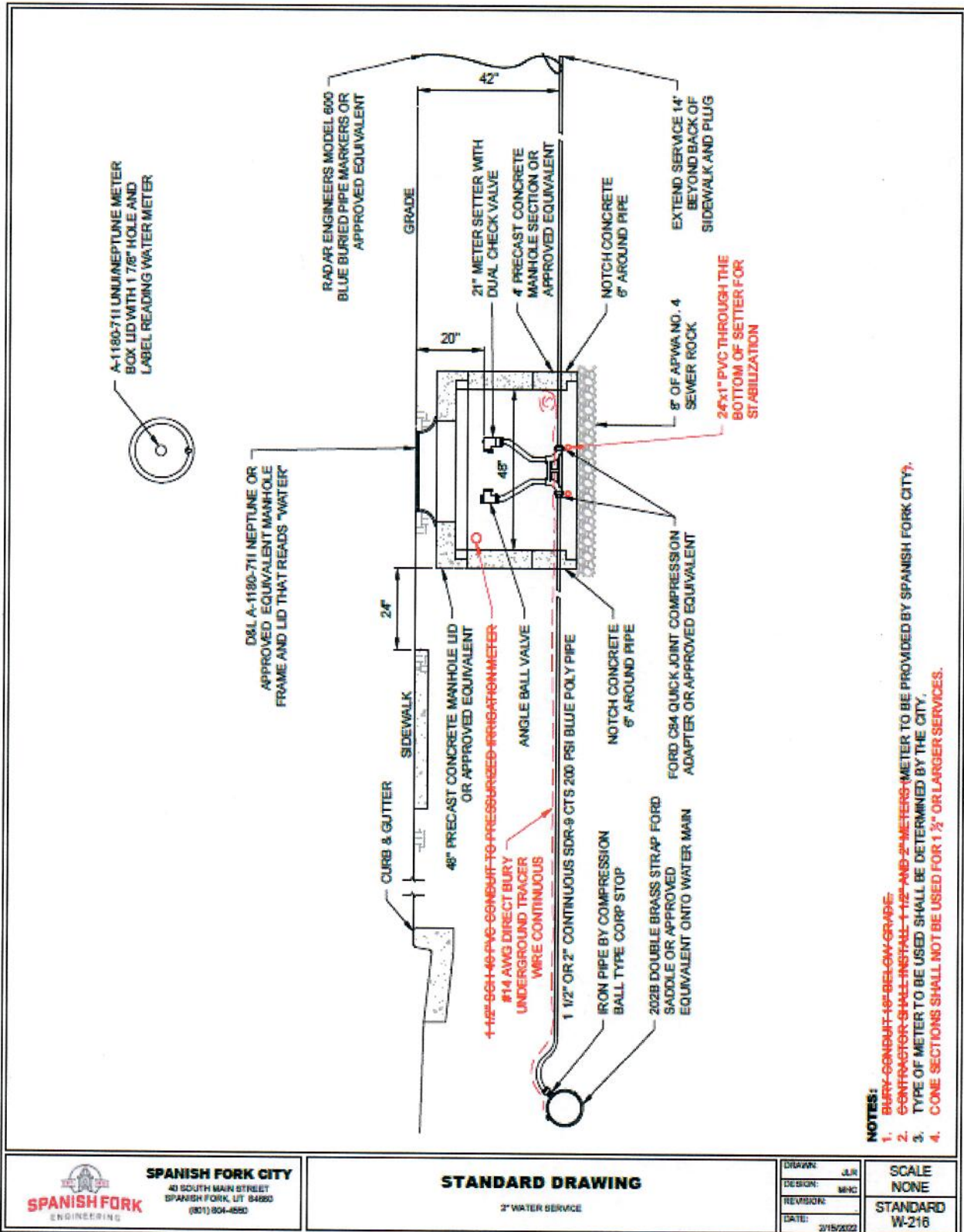


- NOTES:**
1. ALL CULINARY AIR RELEASE SHALL BE ACCORDING TO APWA PLAN NO. 575 AND APPROVED BY THE CITY ENGINEER.
 2. SHALL BE LOCATED AT PROPERTY. LOCATION TO BE DETERMINED AND APPROVED BY THE SPANISH FORK CITY WATER DEPARTMENT AND THE CITY ENGINEER.

<p>SPANISH FORK CITY 40 SOUTH MAIN STREET SPANISH FORK, UT 84603 (801) 804-4650</p>	STANDARD DRAWING		<p>DRAWN: JLR</p>	<p>SCALE NONE</p>
	DRINKING WATER COMBINATION AIR VACUUM & RELEASE VALVE		<p>DESIGN: MHC</p>	<p>STANDARD W-208</p>
			<p>REVISION:</p>	
			<p>DATE: 4/22/2017</p>	







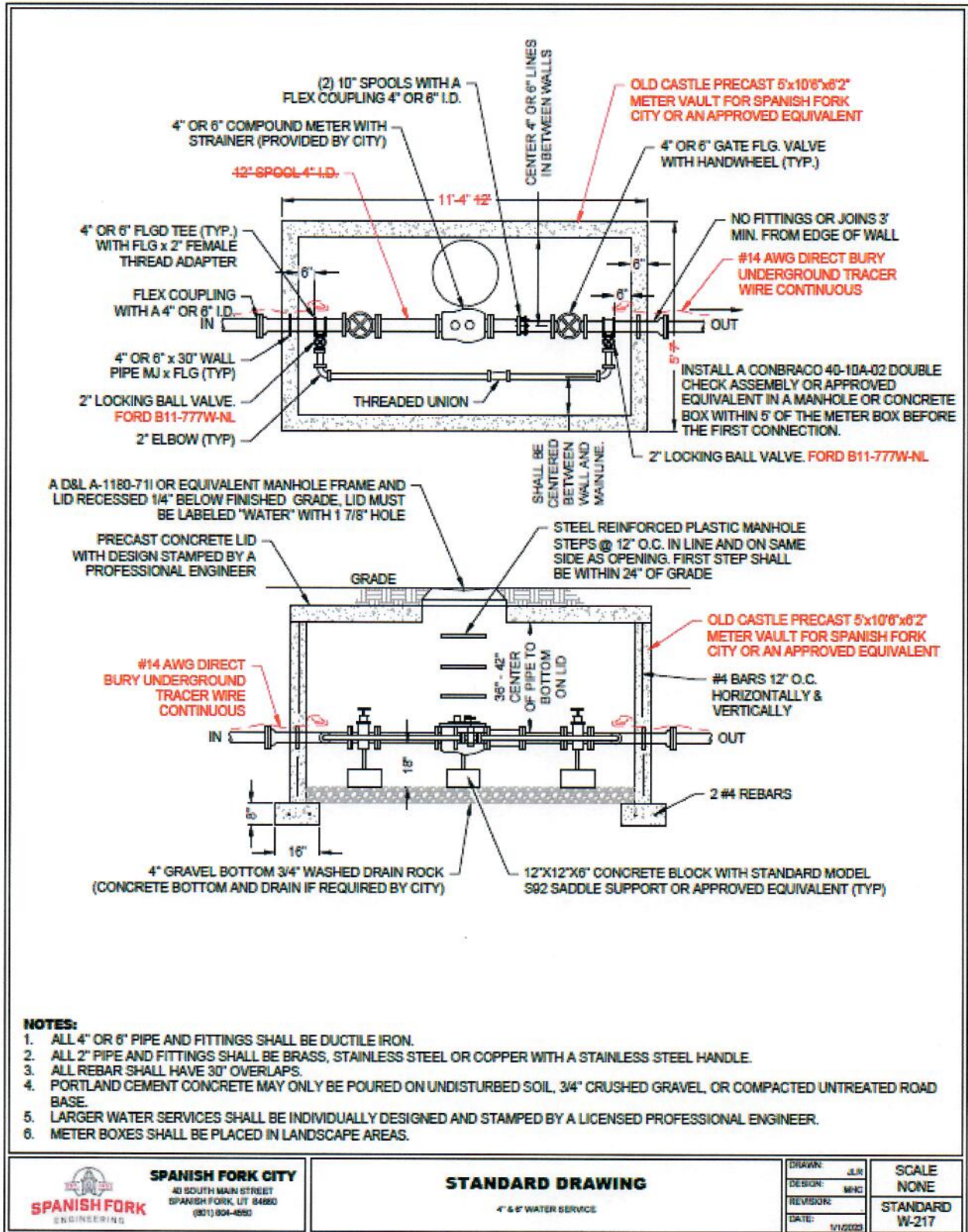
- NOTES:**
1. BURY CONDUIT 18" BELOW GRADE.
 2. CONTRACTOR SHALL INSTALL 1 1/2" AND 2" METERS. METER TO BE PROVIDED BY SPANISH FORK CITY.
 3. TYPE OF METER TO BE USED SHALL BE DETERMINED BY THE CITY.
 4. CONE SECTIONS SHALL NOT BE USED FOR 1 1/2" OR LARGER SERVICES.

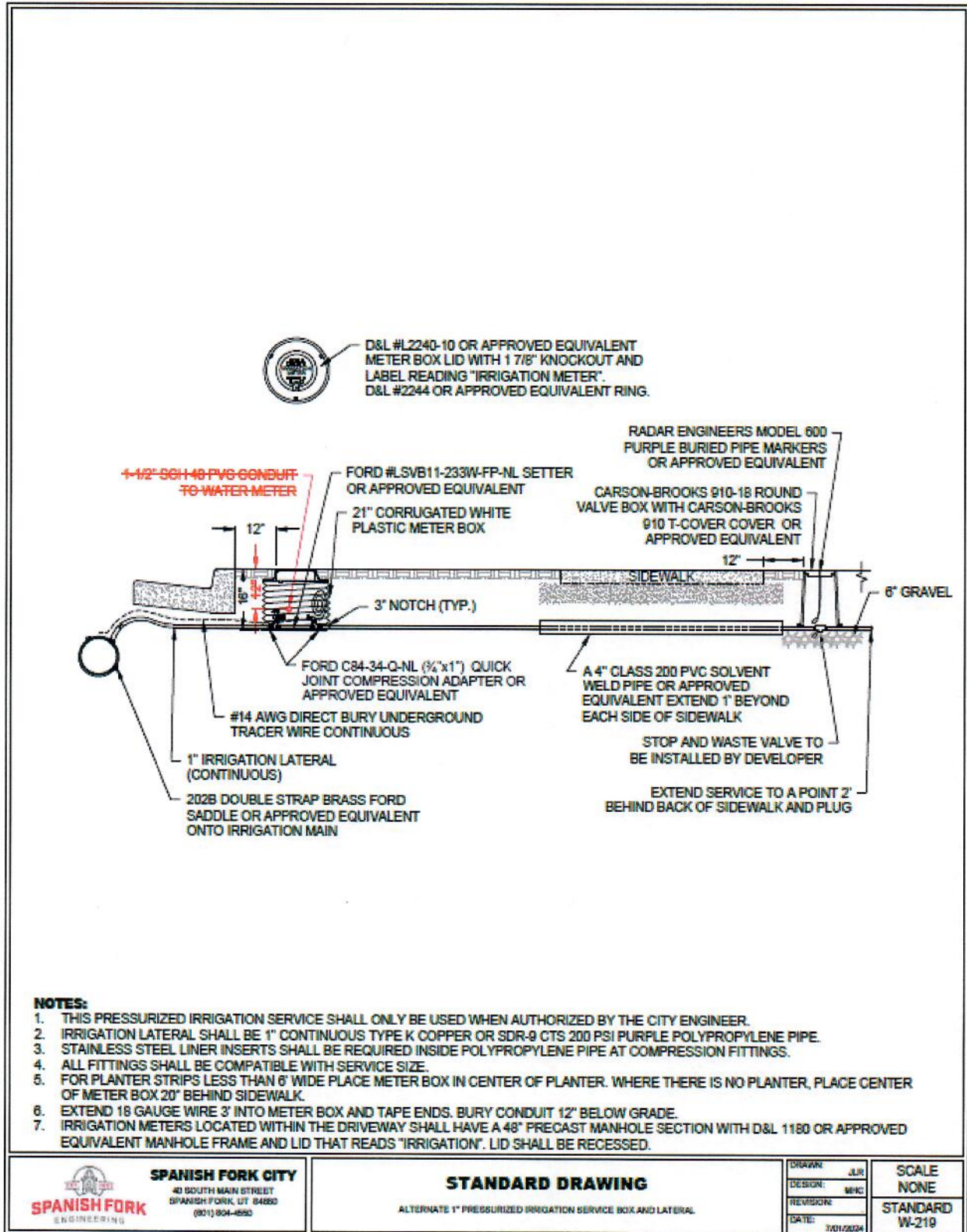
SPANISH FORK CITY
40 SOUTH MAIN STREET
SPANISH FORK, UT 84883
(801) 804-4550

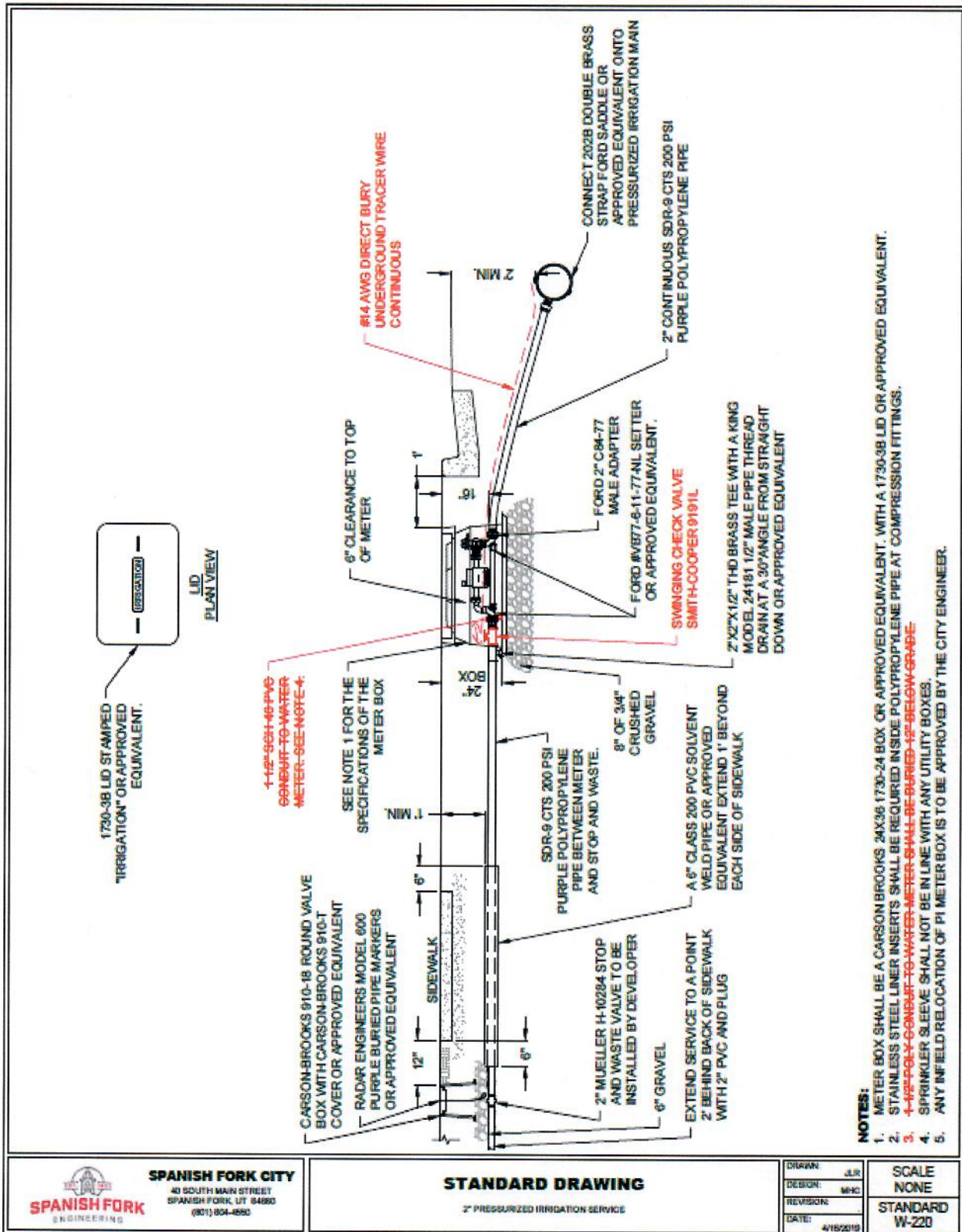
SPANISH FORK ENGINEERING

STANDARD DRAWING
2" WATER SERVICE

DRAWN: JLR	SCALE: NONE
DESIGN: MNC	STANDARD: W-216
REVISION:	
DATE: 2/15/2022	





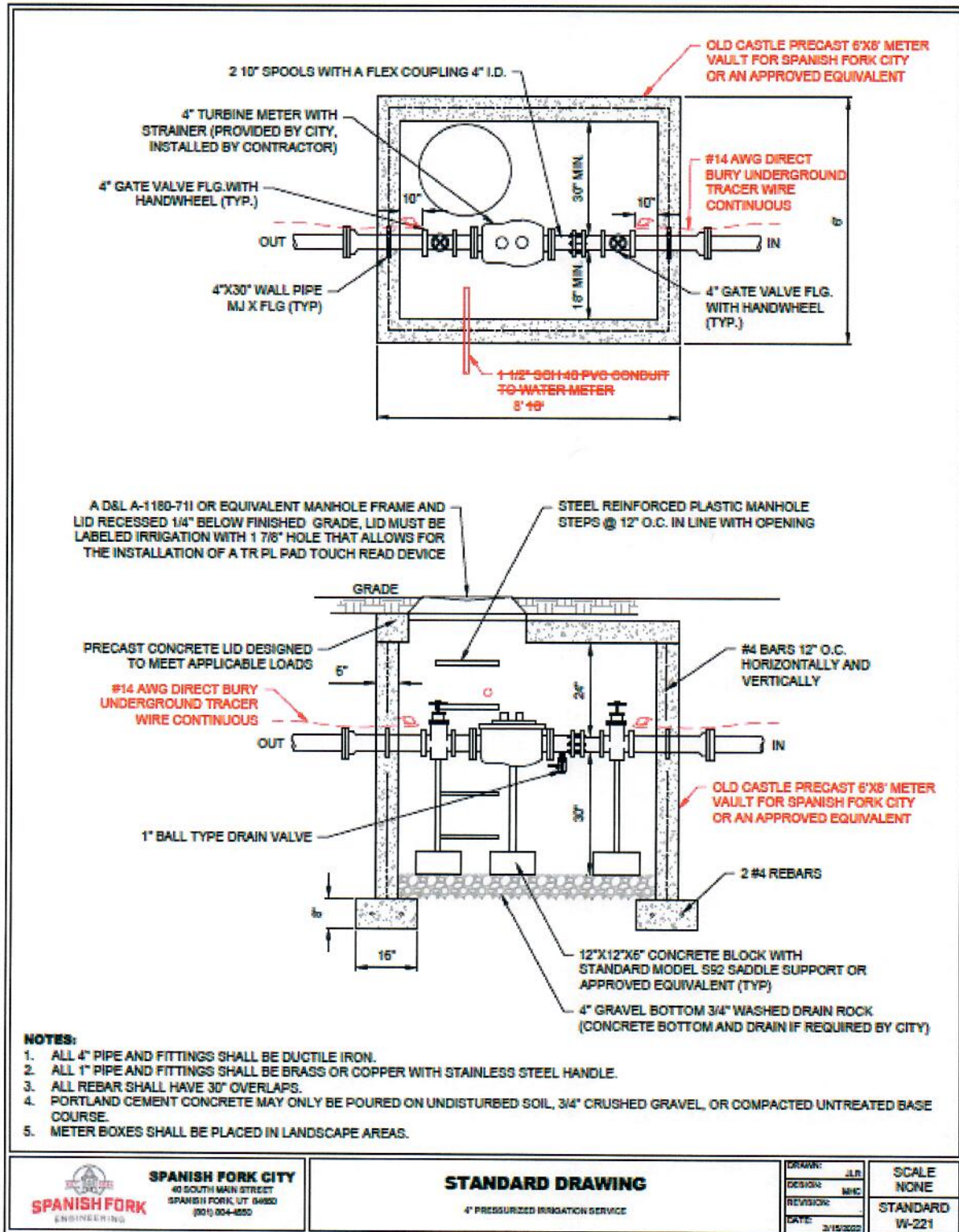


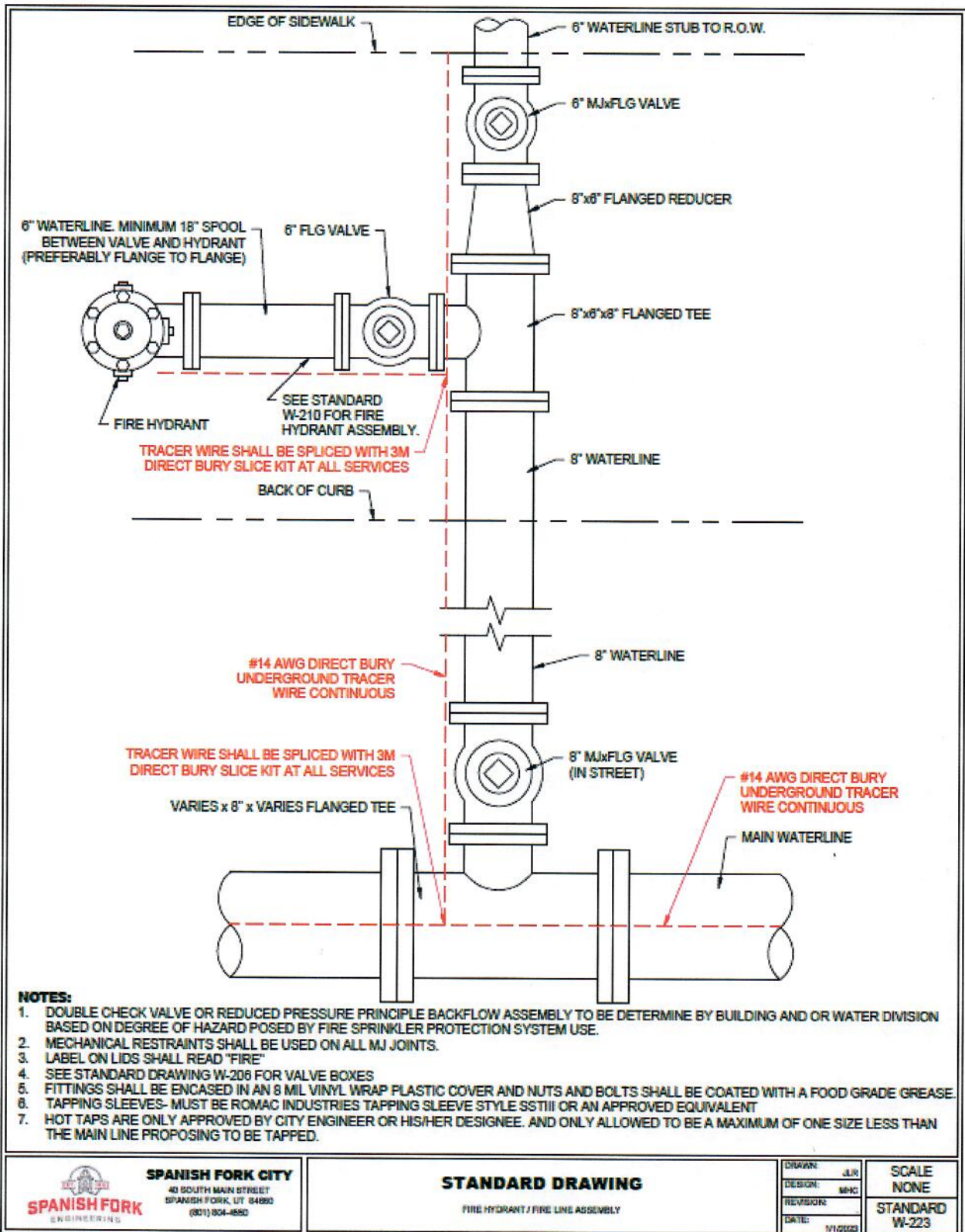
- NOTES:**
- METER BOX SHALL BE A CARSON-BROOKS 24X36 1730-24 BOX OR APPROVED EQUIVALENT. WITH A 1730-3B LID OR APPROVED EQUIVALENT.
 - STAINLESS STEEL LINER INSERTS SHALL BE REQUIRED INSIDE POLYPROPYLENE PIPE AT COMPRESSION FITTINGS.
 - 1-1/2" POLY CONDUIT TO WATER METER SHALL BE BURIED 12" BELOW GRADE.
 - SPRINKLER SLEEVE SHALL NOT BE IN LINE WITH ANY UTILITY BOXES.
 - ANY INFIELD RELOCATION OF PI METER BOX IS TO BE APPROVED BY THE CITY ENGINEER.

SPANISH FORK CITY
46 SOUTH MAIN STREET
SPANISH FORK, UT 84603
(801) 854-4893

STANDARD DRAWING
2" PRESSURIZED IRRIGATION SERVICE

DRAWN: JLR	SCALE: NONE
DESIGN: MHC	STANDARD W-220
REVISION:	
DATE: 4/16/2019	





BACKFLOW PREVENTION ASSEMBLIES

1. GENERAL

- A. PRIOR TO THE INSTALLATION OF ANY BACKFLOW PREVENTION ASSEMBLY, THE PROPERTY OWNER MUST BE NOTIFIED THAT THE INSTALLATION OF A BACKFLOW PREVENTION ASSEMBLY MAY CREATE A CLOSED SYSTEM, THEREBY CREATING A THERMAL EXPANSION HAZARD. A THERMAL EXPANSION DEVICE MUST BE INSTALLED.
- B. IF ANY UNAPPROVED BACKFLOW PREVENTION ASSEMBLY IS FOUND WITHIN ANY WATER SYSTEM, THAT ASSEMBLY SHALL BE REMOVED AND REPLACED WITH A STATE APPROVED ASSEMBLY.
- C. ALL BACKFLOW ASSEMBLIES SHALL BE TESTED WITHIN 10 DAYS OF INITIAL USE.
- D. ALL BACKFLOW ASSEMBLIES SHALL BE TESTED AT LEAST ONCE A YEAR.
- E. ALL BACKFLOW ASSEMBLIES SHALL BE TESTED WHENEVER RELOCATED OR REPAIRED.
- F. A COPY OF THE TEST REPORT MUST BE SENT TO THE SPANISH FORK CITY.
- G. TESTERS MUST HAVE A CURRENT BACKFLOW ASSEMBLY TESTER CERTIFICATE.

2. PRODUCTS

- A. PROVIDE OUTDOOR OR INDOOR REDUCED PRESSURE PRINCIPLE ASSEMBLY (RP), PRESSURE VACUUM BREAKER (PVB), SPILL RESISTANT PRESSURE VACUUM BREAKER (SVB), OR ATMOSPHERIC VACUUM BREAKER (AVB) PER PROVO CITY STANDARDS.
- B. DOUBLECHECK ASSEMBLIES ARE NOT ALLOWED ON LANDSCAPE IRRIGATION IN UTAH.
- C. ABOVE GROUND OUTDOOR SYSTEMS NEED TO BE GALVANIZED STEEL, DUCTILE IRON OR COPPER. NO PVC ALLOWED.

3. EXECUTION

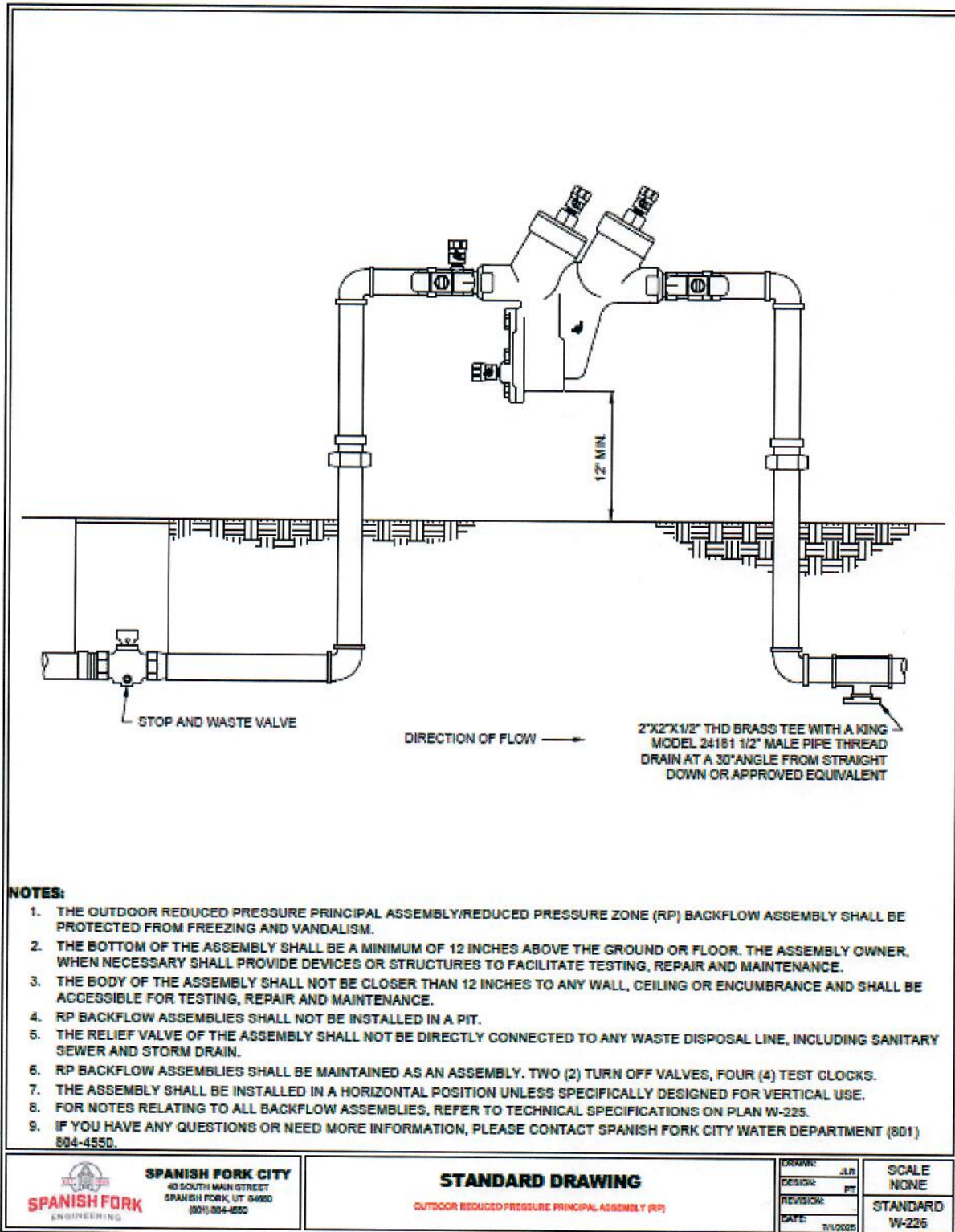
- A. BACKFLOW PREVENTION ASSEMBLY TYPE SHALL BE APPROVED BY SPANISH FORK CITY PRIOR TO INSTALLATION.
- B. FOLLOW INSTALLATION INSTRUCTIONS ON THE BACKFLOW PREVENTION ASSEMBLY DRAWING.
- C. AIR GAP -
 - C.1. THE AIR GAP SHALL BE A MINIMUM OF ONE INCH, OR TWICE THE DIAMETER OF THE INCOMING PIPE (WITHIN 10 PIPE DIAMETERS OF TERMINATION OF THE LINE).
 - C.2. WHERE THE AIR GAP IS WITHIN TWO PIPE DIAMETERS (HORIZONTAL MEASUREMENT) OF A WALL, THE AIR GAP SHALL BE INCREASED TO THREE TIMES THE INCOMING PIPE DIAMETER. HIGH HAZARD AIR GAPS SHALL BE INSPECTED ON AN ANNUAL BASIS.

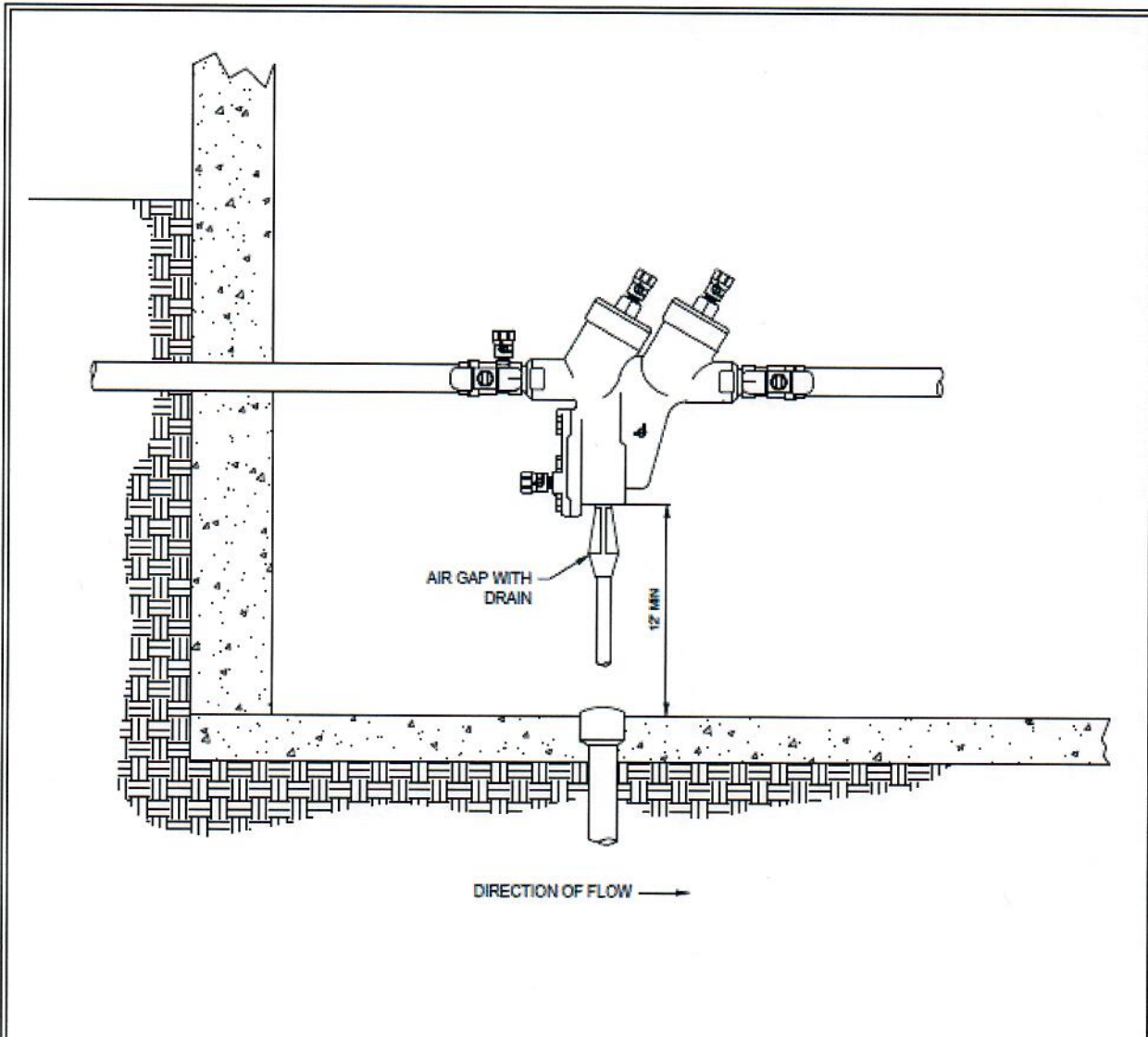


SPANISH FORK CITY
40 SOUTH MAIN STREET
SPANISH FORK, UT 84600
(801) 804-4890

STANDARD DRAWING
BACKFLOW PREVENTION ASSEMBLY NOTES

DRAWN: JLR	SCALE: NONE
DESIGN: PT	STANDARD W-225
REVISION:	
DATE: 7/12/2018	





NOTES:

1. THE INDOOR REDUCED PRESSURE PRINCIPAL ASSEMBLY/REDUCED PRESSURE ZONE (RP) BACKFLOW ASSEMBLY SHALL BE PROTECTED FROM FREEZING AND VANDALISM.
2. THE BOTTOM OF THE ASSEMBLY SHALL BE A MINIMUM OF 12 INCHES ABOVE THE GROUND OR FLOOR. THE ASSEMBLY OWNER, WHEN NECESSARY SHALL PROVIDE DEVICES OR STRUCTURES TO FACILITATE TESTING, REPAIR AND MAINTENANCE.
3. THE BODY OF THE ASSEMBLY SHALL NOT BE CLOSER THAN 12 INCHES TO ANY WALL, CEILING OR ENCUMBRANCE AND SHALL BE ACCESSIBLE FOR TESTING, REPAIR AND MAINTENANCE.
4. RP BACKFLOW ASSEMBLIES SHALL NOT BE INSTALLED IN A PIT.
5. THE RELIEF VALVE OF THE ASSEMBLY SHALL NOT BE DIRECTLY CONNECTED TO ANY WASTE DISPOSAL LINE, INCLUDING SANITARY SEWER AND STORM DRAIN.
6. RP BACKFLOW ASSEMBLIES SHALL BE MAINTAINED AS AN ASSEMBLY. TWO (2) TURN OFF VALVES, FOUR (4) TEST CLOCKS.
7. THE ASSEMBLY SHALL BE INSTALLED IN A HORIZONTAL POSITION UNLESS SPECIFICALLY DESIGNED FOR VERTICAL USE.
8. FOR NOTES RELATING TO ALL BACKFLOW ASSEMBLIES, REFER TO TECHNICAL SPECIFICATIONS ON PLAN W-225.
9. IF YOU HAVE ANY QUESTIONS OR NEED MORE INFORMATION, PLEASE CONTACT SPANISH FORK CITY WATER DEPARTMENT (801) 804-4550.

 <p>SPANISH FORK CITY 40 SOUTH MAIN STREET SPANISH FORK, UT 84603 (801) 804-4550</p>	<p>STANDARD DRAWING</p> <p>INDOOR REDUCED PRESSURE PRINCIPAL ASSEMBLY (RP)</p>	<table border="1" style="width: 100%; border-collapse: collapse;"> <tr><td style="font-size: small;">DRAWN:</td><td style="font-size: small;">JLR</td></tr> <tr><td style="font-size: small;">DESIGN:</td><td style="font-size: small;">PT</td></tr> <tr><td style="font-size: small;">REVISION:</td><td></td></tr> <tr><td style="font-size: small;">DATE:</td><td style="font-size: small;">01/16/2018</td></tr> </table>	DRAWN:	JLR	DESIGN:	PT	REVISION:		DATE:	01/16/2018	<table border="1" style="width: 100%; border-collapse: collapse;"> <tr><td style="font-size: small;">SCALE</td><td style="font-size: small;">NONE</td></tr> <tr><td style="font-size: small;">STANDARD</td><td style="font-size: small;">W-227</td></tr> </table>	SCALE	NONE	STANDARD	W-227
DRAWN:	JLR														
DESIGN:	PT														
REVISION:															
DATE:	01/16/2018														
SCALE	NONE														
STANDARD	W-227														